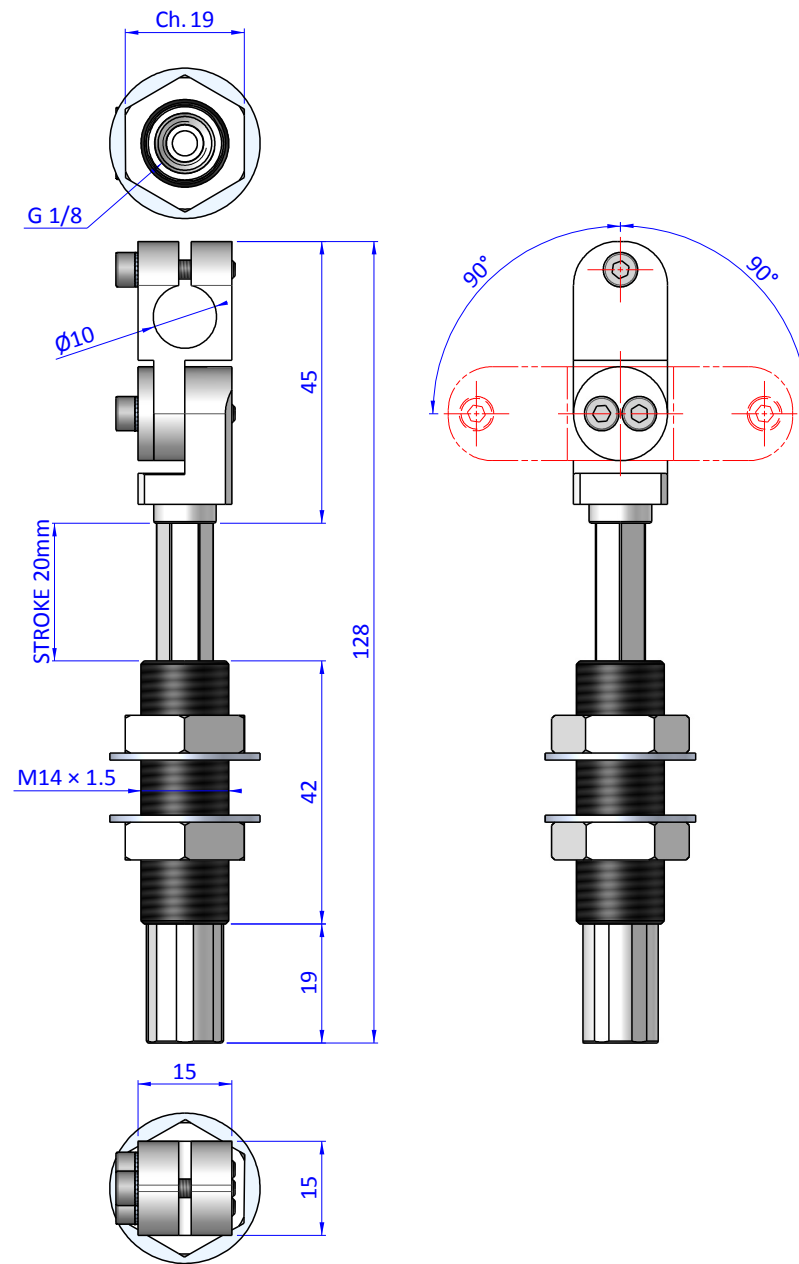
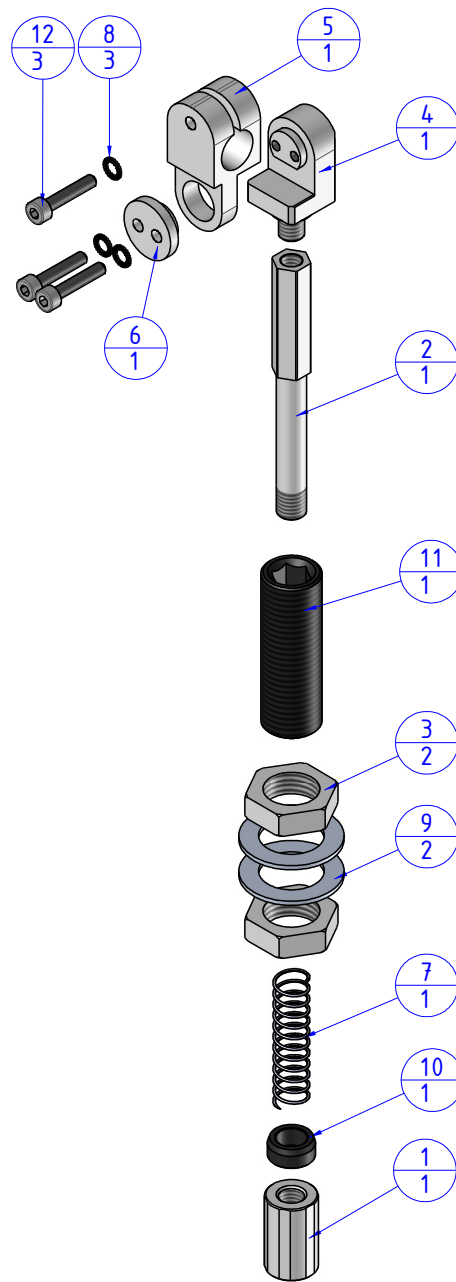


THE PROPERTY OF THE DRAWING IS ESTABLISHED BY LAW. IT IS FORBIDDEN TO PRODUCE OR SHOW IT TO THIRD PARTY, WITHOUT A WRITTEN AGREEMENT.

Object Number	Name	QTY
1	VSN.14.1	1
2	VSN.1420.4	1
3	05.01.001.06	2
4	GRZ.142010.1	1
5	GVR.10.2	1
6	GVR.10.3	1
7	M.8.45X34	1
8	R.3.SCH	3
9	R.14.SCH	2
10	VSN.1420.3	1
11	VSNG.1420.2.1	1
12	V.TCE3x16	3



Format A3

UNI 936-76

		DESIGNED FROM	REVIEW
		FP SERVICES	A
GENERAL TOLERANCE	DESCRIPTION	DATE	WEIGHT
UNI - ISO 2768	CA.SMNG.142010	07/02/2019	0,054kg
CLASSE f		CODE	CA.SMNG.142010